



SUBMITTAL COVER SHEET

PROJECT NAME _____
 LOCATION _____
 ARCHITECT _____
 ENGINEER _____
 CONTRACTOR _____
 SUBMITTED BY _____ DATE _____

UNIT SUMMARY

Quantity						
Unit Designation						
Model No.						
Total Cooling						
Sensible Cooling						
Air Ent. Evaporator						
Air Lvg. Evaporator						
Heating Input						
Heating Output						
CFM/ESP						
EER/SEER						
Electrical						
Minimum Ampacity						
Min.-Max. Breaker						
Net Unit Weight						
Accessory						
Catalog Form Number						

ACCESSORIES:

NOTES:

SUBMITTAL SHEET FOR (-)PRL- JEZ 16 SEER REMOTE TWO-STAGE HEAT PUMP UNITS 2, 3, 4 & 5 NOMINAL TON [7.03, 10.5, 14 & 17.58 kW]



Equipped with
the Award Winning
Comfort Control System™



- Increased Reliability
- Fault Recall
- On-Board Diagnostics
- Active Protection™

JOB NAME _____ LOCATION _____
 CONTRACTOR _____ ORDER NO. _____
 ENGINEER _____ SUBMITTED FOR APPROVAL RECORD
 DATE _____
 MODEL NO. _____
 AIR HANDLER MODEL NO. _____
 INDOOR COIL MODEL NO. _____

UNIT DATA

COOLING PERFORMANCE

EFFICIENCY SEER/EER
 TOTAL CAPACITY*..... MBH [kW]
 SENSIBLE CAPACITY*..... MBH [kW]
 OUTDOOR DESIGN TEMP. °F [°C] DB
 TEMP. OF AIR ENTERING
 EVAPORATOR COIL..... °F [°C] DB
 °F [°C] WB

HEATING PERFORMANCE

EFFICIENCY HSPF
 TOTAL CAPACITY*..... MBH [kW]
 OUTDOOR DESIGN TEMP. °F [°C] DB
 TEMP. OF AIR ENTERING
 EVAPORATOR COIL..... °F [°C] DB

SUPPLY AIR BLOWER PERFORMANCE

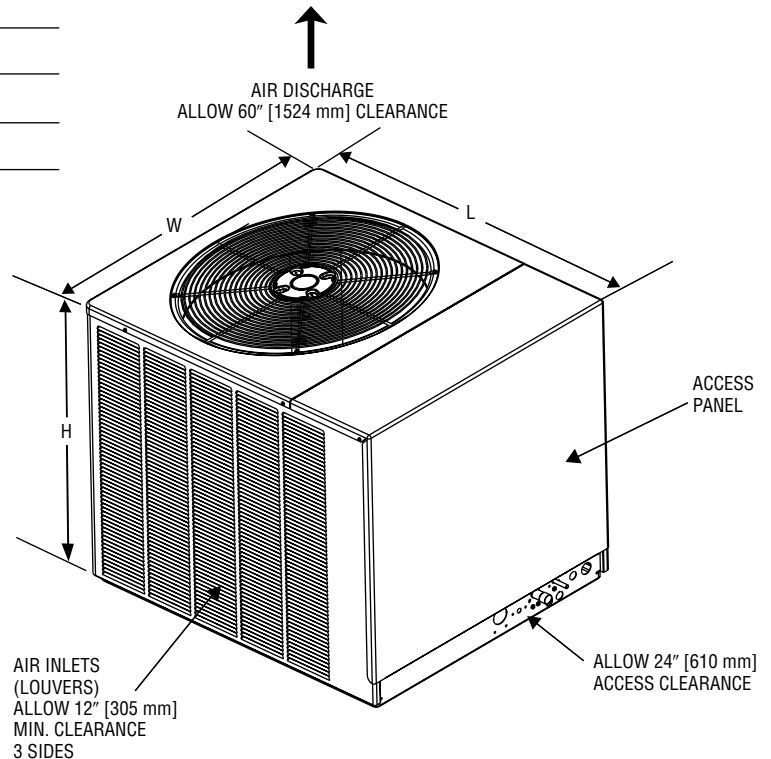
TOTAL AIR SUPPLY CFM [L/s]
 TOTAL RESISTANCE EXTERNAL
 TO UNIT..... IWG
 MOTOR RATING HP [W]

ELECTRICAL DATA

POWER SUPPLY / /
 TOTAL UNIT AMPACITY..... AMPS
 MINIMUM WIRE SIZE AWG
 MAXIMUM OVERCURRENT DEVICE
 FUSES/HACR BREAKER AMPS

CLEARANCES

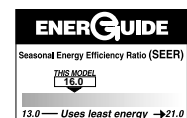
SERVICE ACCESS 24" [610 mm]
 AIR INLETS 12" [305 mm]
 ABOVE UNIT 60" [1524 mm]



DIMENSIONS

Model Number (-)PRL-	Height "H" (Inches) [mm]	Length "L" (Inches) [mm]	Width "W" (Inches) [mm]
024JEZ/036JEZ/ 048JEZ/060JEZ	33 [838]	44 3/8 [1127]	31 1/2 [800]

[] Designates Metric Conversions



**FEATURES FOR (-)PRL- JEZ 16 SEER TWO-STAGE REMOTE HEAT PUMPS
2, 3, 4 & 5 NOMINAL TONS [7.03, 10.5, 14 & 17.58 kW]**

- The *Comfort Control System™* provides on-board diagnostics and fault history for heat pump units with single-phase compressors by detecting system and electrical problems without adding sensors. It can also communicate “fault codes” to enabled “L terminal” thermostats. The integrated diagnostics with *Active Protection* prevents compressor operation when damage would occur.
- Exclusive 7-Segment LED Display. The information-display quickly and accurately shows technicians the source of malfunctions.
- Compressor sound blanket is standard to provide quiet operation.
- Two-Stage Scroll Compressor
- Copper Tube/Aluminum Fin Coils
- Powder painted louvered steel cabinet protects coil from damage
- Internal Check Valve
- Automatic Reset High Pressure Control
- Drawn, painted base pan
- Hard Start Components
- Demand Defrost Control
- Non-Cycling Reversing Valve
- Hot Gas Muffler
- Bi-Directional Filter Drier (not installed)
- Service Valves
- Refrigerant Metering
- All refrigerant connections are on the exterior of the unit, located close to the ground for neat appearing installations
- Coil design permits compressor operation with the access panel removed
- Control box is fully accessible in the upper part of the cabinet, just under the access panel
- Power and control wiring are kept separate
- Certified and rated under ARI Standard 240
- U.L. listed
- Factory run tested prior to shipment
- Equipment features a 10-year limited parts warranty. In addition, a 10-year conditional unit replacement warranty is provided. See warranty card for complete details.

FIELD INSTALLED ACCESSORIES

Outdoor Thermostats
3 Heat/2 Cool Thermostats

Blower Time Delay Control.....
Fossil Fuel Kits (Not Required)

SPECIAL NOTES ON EQUIPMENT:

Before proceeding with installation, refer to installation instructions packaged with each model, as well as complying with all Federal, State, Provincial, and Local codes, regulations, and practices.

RHEEM
MANUFACTURING
COMPANY
5600 Old Greenwood Road, Fort Smith, Arkansas 72908

“In keeping with its policy of continuous progress and product improvement, Rheem reserves the right to make changes without notice.”