



SUBMITTAL COVER SHEET

PROJECT NAME _____
 LOCATION _____
 ARCHITECT _____
 ENGINEER _____
 CONTRACTOR _____
 SUBMITTED BY _____ DATE _____

UNIT SUMMARY

Quantity						
Unit Designation						
Model No.						
Total Cooling						
Sensible Cooling						
Air Ent. Evaporator						
Air Lvg. Evaporator						
Heating Input						
Heating Output						
CFM/ESP						
EER/SEER						
Electrical						
Minimum Ampacity						
Min.-Max. Breaker						
Net Unit Weight						
Accessory						
Catalog Form Number						

ACCESSORIES:

NOTES:

SUBMITTAL SHEET FOR (-)ARL- JEC 2 thru 5 TONS [7.03 thru 17.6 kW], 16 SEER HIGH TWO-STAGE COOLING CONDENSING UNITS



JOB NAME _____ LOCATION _____
 CONTRACTOR _____ ORDER NO. _____
 ENGINEER _____
 SUBMITTED FOR APPROVAL RECORD
 DATE _____
 UNIT MODEL NO. _____
 COIL MODEL NO. _____
 AIR HANDLER MODEL NO. _____



Equipped with *Comfort Control² System™*

- Serial communication enabled
- Increased system reliability and efficiency
- 32+ on-board diagnostic and operating codes
- *Active Protection™* with homeowner "Call for Service" alert
- Exclusive Design with dual 7-segment LED display

UNIT DATA

COOLING PERFORMANCE

EFFICIENCY SEER
 TOTAL CAPACITY*..... MBH [kW]
 SENSIBLE CAPACITY*..... MBH [kW]
 OUTDOOR DESIGN TEMP. °F [°C] DB
 TEMP. OF AIR ENTERING
 EVAPORATOR COIL..... °F [°C] DB
 °F [°C] WB
 POWER INPUT REQUIREMENT kW
 (*uses blower motor heat)

SUPPLY AIR BLOWER PERFORMANCE

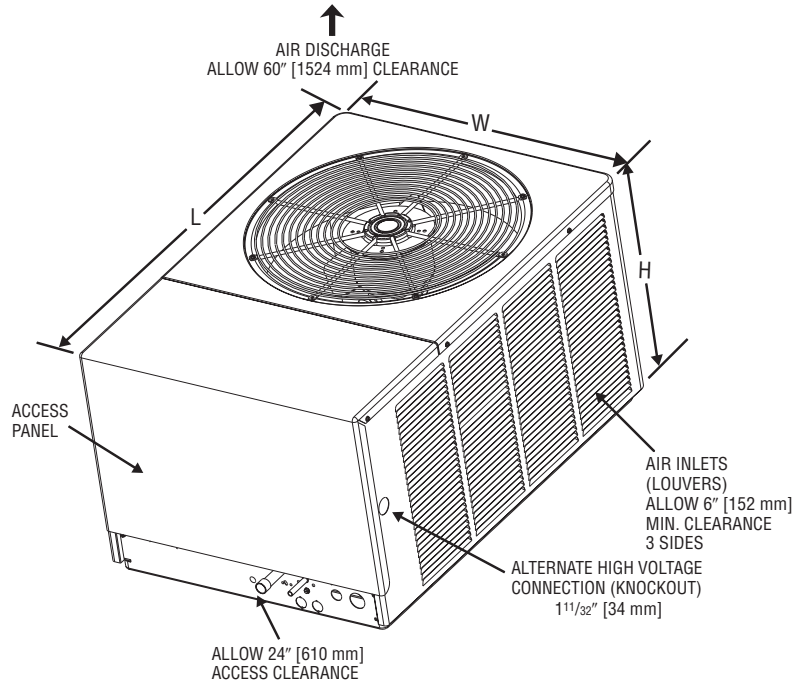
TOTAL AIR SUPPLY CFM [L/s]
 TOTAL RESISTANCE EXTERNAL
 TO UNIT..... IWG
 BLOWER SPEED RPM
 POWER OUTPUT REQUIREMENT .. BHP
 MOTOR RATING HP [W]
 POWER INPUT REQUIREMENT kW

ELECTRICAL DATA

POWER SUPPLY Hz
 TOTAL UNIT AMPACITY..... AMPS
 MINIMUM WIRE SIZE AWG
 MAXIMUM OVERCURRENT DEVICE
 FUSES/HACR BREAKER AMPS

CLEARANCES

ACCESS SIDE 24" [609.6 mm]
 AIR INLETS 12" [304.8 mm]
 ABOVE UNIT 60" [1524 mm]



DIMENSIONS

Model Number (-)ARL-	Height "H" (Inches) [mm]	Length "L" (Inches) [mm]	Width "W" (Inches) [mm]
024JEC	23 [584]	44 3/8 [1127]	31 1/2 [800]
036JEC/048JEC/060JEC	33 [838]	44 3/8 [1127]	31 1/2 [800]

[] Designates Metric Conversions



"Proper sizing and installation of equipment is critical to achieve optimal performance. Split system air conditioners and heat pumps must be matched with appropriate coil components to meet ENERGY STAR criteria. Ask your Contractor for details or visit www.energystar.gov <<http://www.energystar.gov>>."

FEATURES FOR (-)ARL- JEC TWO-STAGE CONDENSING UNITS 2 thru 5 NOMINAL TONS [7.03 thru 17.6 kW]

The High Efficiency Two-Stage (-)ARL- JEC Condensing Unit was designed with performance in mind. These units offer comfort, energy conservation and dependability for single, multi-family and light commercial applications. The Two-Stage (-)ARL- JEC Condensing Units are the result of an ongoing development program for improved efficiencies. With system SEER's as high as 17 SEER/13.80 EER, these units continue a tradition of delivering high efficiency.

- Industry's lowest profile design: 33" maximum height
- The *Comfort Control[®] System[™]* provides over 32+ on-board diagnostics and fault history codes for condensing units with single-phase compressors by detecting system and electrical problems. The integrated diagnostics with *Active Protection[™]* prevents compressor operation when potentially harmful conditions are detected. Sends "Call for Service" alert notification to the thermostat to alert the homeowner of required service.
- Serial Communication Enhanced – When installed with a Serial Communicating Air Handler ((-)HPL/(-)HPN-HM****JC) and user interface control (-HC-TST501CMMS) Series 500 thermostat this unit offers 4 or 2 wire installation, auto-configuration, and diagnostic messaging with full communicating capability.
- Legacy Enabled – Unit can be conventionally wired using 24VAC with non-communicating air-handlers or furnaces with non-communicating thermostat.

- Features a 10-year conditional unit replacement warranty and 10-year parts warranty when properly installed with the Manufacturer's air handler or the Manufacturer's indoor coil with the Manufacturer's gas furnace. See product warranty card for additional information.
- Reliable Two-Stage operation for precise temperature control with On-Demand dehumidification feature. When matched with ECM gas furnace or air-handler, the system adjusts airflow to help control humidity for unsurpassed comfort in the cooling mode.
- All controls are accessible by removing one service panel. Removable top grille provides access to the condenser fan motor and condenser coil.
- Attractive, louvered wrap-around jacket protects the coil from yard hazards and weather extremes. Top grille is steel reinforced for extra strength. Cabinet is powder painted for all weather protection.
- For quiet operation and improved efficiency, models feature an ECM two-speed condenser fan motor with a 3-blade outdoor fan.
- All models meet or exceed a 1000-hour salt spray test per ASTM B117 Standard Practice for Operating Salt Spray Testing Apparatus.

[] Designates Metric Conversions

FIELD INSTALLED ACCESSORIES

- Low Ambient Control (Model No. RXAD-A08)
- Compressor Crankcase Heater
- Thermostat (See Specification Sheet for details)

SPECIAL NOTES ON EQUIPMENT:

Before proceeding with installation, refer to installation instructions packaged with each model, as well as complying with all Federal, State, Provincial, and Local codes, regulations, and practices.

Rheem Sales Company, Inc.
P.O. Box 17010, Fort Smith, AR 72917

"In keeping with its policy of continuous progress and product improvement, Rheem reserves the right to make changes without notice."